



## Wall Mounted Shelves

**Model Number: AWBS-0816-S**

**INSTRUCTION MANUAL**

**AFTER SALES SUPPORT**

  1300 886 649

 [www.tempo.org](http://www.tempo.org)

Model: AWBS-0816-S Product Code: 54265 08/2016

# Contents

Warranty Details	3
Welcome	4
General Safety Instructions	5
Product Overview	6
Parts List	8
Getting Started	9
Installation	10
Repair and Refurbished Goods or Parts Notice	15



## Wall Mounted Shelves

# Warranty Details

---

The product is guaranteed to be free from defects in workmanship and parts for a period of 12 months from the date of purchase. Defects that occur within this warranty period, under normal use and care, will be repaired, replaced or refunded at our discretion, solely at our option with no charge for parts and labour. The benefits conferred by this warranty are in addition to all rights and remedies in respect of the product that the consumer has under the Competition and Consumer Act 2010 and similar state and territory laws.

Our goods come with guarantees that cannot be excluded under the Australian Consumer Law. You are entitled to a replacement or refund for a major failure and to compensation for any other reasonably foreseeable loss or damage. You are also entitled to have the goods repaired or replaced if the goods fail to be of acceptable quality and the failure does not amount to a major failure.

---

#### AFTER SALES SUPPORT

  1300 886 649

 [www.tempo.org](http://www.tempo.org)

Model: AWBS-0816-S Product Code: 54265 08/2016



# Welcome

Congratulations on choosing to buy a BAUHN® product. All products brought to you by BAUHN® are manufactured to the highest standards of performance and safety and, as part of our philosophy of customer service and satisfaction, are backed by our comprehensive 1 Year Warranty. We hope you will enjoy using your purchase for many years to come.

# General Safety Instructions

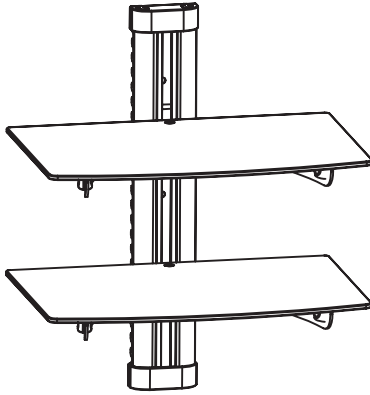
Read this manual thoroughly before installing the Wall Mounted Shelves to ensure your personal and other people's safety and to avoid any property loss.

If you do not understand these directions, or have any questions in relation to the safety of the installation, we recommend you contact a qualified professional. For all other general inquiries, please contact the after sales support line on the number at the bottom of the page.

- This product contains small items that could be a choking hazard if swallowed. Keep these items away from young children.
- Before installation, check carefully to ensure that there are no missing or defective parts. All parts are listed and illustrated on the following page.
- Never use defective parts. Our customer service representatives can quickly assist you with installation questions and replacement for missing or defective parts.
- Do not use this product for any purpose that is not explicitly specified in this manual. Handle and use the bracket strictly according to the instructions.
- Improper installation may cause damage or serious injury.
- We assume no liability for any eventual damage or injury caused by incorrect mounting, incorrect assembly or incorrect use.
- This product is not intended for use by persons (including children) with reduced physical, sensory or mental capabilities, or lack of experience and knowledge, unless they have been given supervision or instruction concerning use of the appliance by a person responsible for their safety.
- This is not a toy. Keep the Wall Mounted Shelves and the equipment on it away from infants and children. Young children should be supervised to ensure they do not play with the product.
- This product is intended for indoor use only. Use of this product outdoors could lead to product failure or personal injury.
- **WARNING: Choose a structurally sound wall area that is strong enough to hold the weight of the Wall Mounted Shelves as well as the equipment on it.**
- **WARNING: DO NOT attach the wall mount bar to a hollow wall or decorative room divider. Only use the Wall Mounted Shelves in accordance with the technical specifications below:**

# Product Overview

## Wall Mounted Shelves



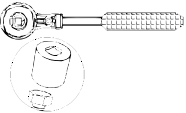

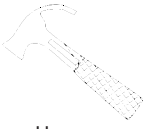



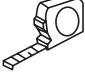
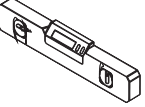


- Suitable for DVD players, Game consoles, Cable box etc.  
Shelf size 14.17" x 9.84" (36cm x 25cm)
- This product is designed to be installed on wood stud walls or solid concrete walls. Before installing, make sure the wall will support the combined load of the equipment and hardware. Never exceed the maximum load capacity of 10kg (22lbs) per shelf, or else it may result in product failure or personal injury.

# Product Overview (Cont.)

## Required tools

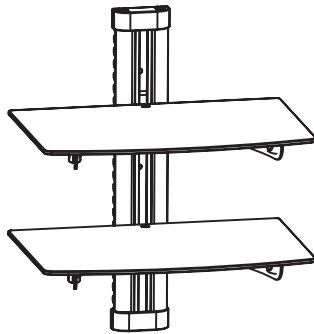
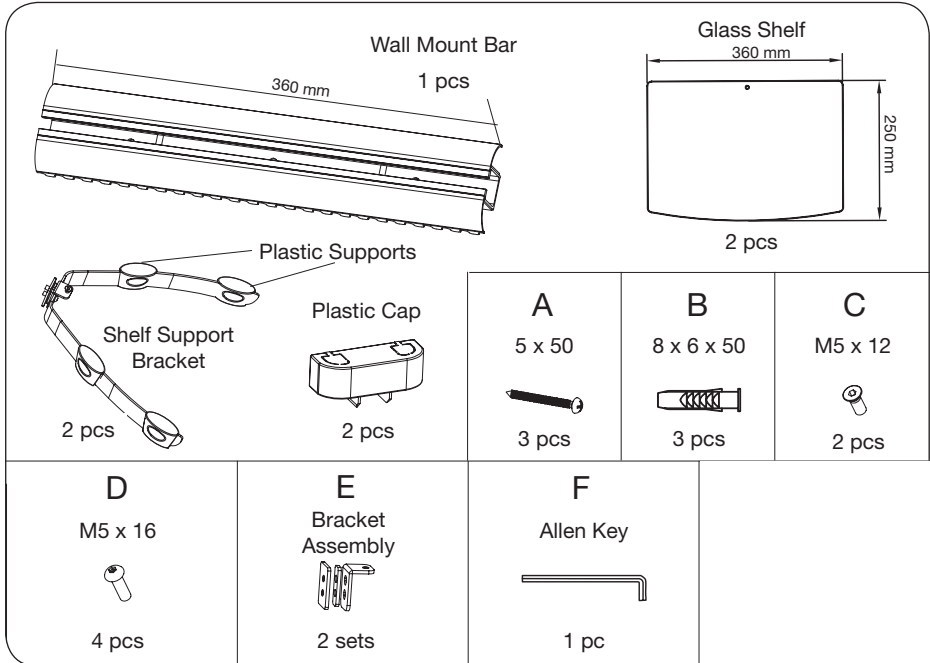
The Illustration below highlights the tools that will be required to complete a basic installation.

 Pencil	 Phillips Screwdriver	 Socket Wrench	 Stud Finder <small>(For installation on a stud wall only)</small>
 Hammer	 Electric Drill	 Ø8mm Concrete Drill Bit	 Ø4mm Wood Drill Bit
 Tape Measure	 Spirit Level		

# Parts List

## Assembly hardware

The illustration below is to help you identify the parts; some parts are not shown at the same scale.



Wall Mounted Shelves (Fully Assembled)



# Getting Started

## Before you start installing

- Unpack the product but keep all packaging materials until you have made sure your new Wall Mounted Shelves is undamaged. (In case of damage, contact our after sales support line for advice on examination, repair or return of the damaged product.) Plastic wrapping can be a suffocation hazard for babies and young children, so ensure all packaging materials are out of their reach.
- Read this manual to familiarise yourself with all the parts and installation instructions. Pay particular attention to the safety instructions on page 5.
- All the parts that are supplied for installation are pictured on page 8 with their respective part identification letter (A to F). Sort the items accordingly so you know which ones to use during installation.

### **IMPORTANT!**

- Only install the Wall Mounted Shelves on a structurally sound wall area that is strong enough to hold the weight of the Shelf and it's contents.
- Mount the Wall Mounted Shelves far away from any water source and direct sunlight.
- DO NOT attach the Wall Mounted Shelves to a hollow wall or decorative room divider.
- Consult your builder for advice if you want to install the bracket to a wood stud wall. The wall must be strong enough for the weight of the Wall Mounted Shelves and contents.

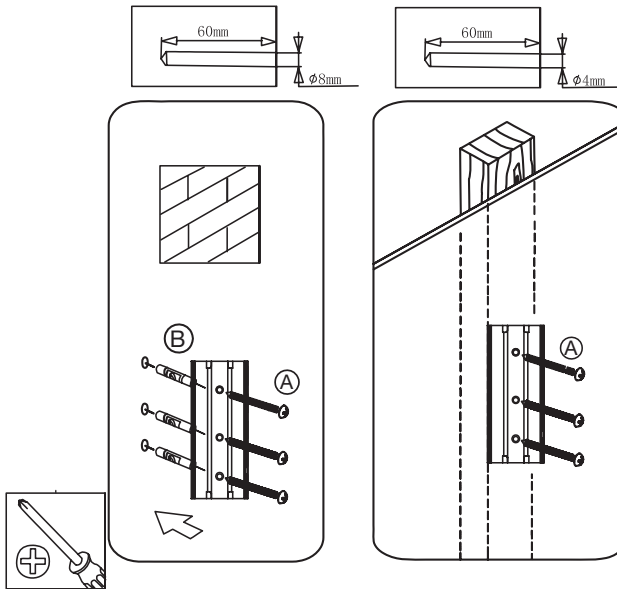
# Installation

## Step 1: Attaching the wall mount plate

### On a concrete/brick wall

- Using the Wall Mount Bar as a template, markout then drill three holes of 8mm diameter. Ensure the holes are 60mm in depth, as illustrated below.
- Tap the three plastic anchors (B) into the holes on the concrete/brick wall.
- Hold the Wall Mount Bar to the wall and align the holes in the bar to the holes drilled into the wall.
- Screw the Wall Mount Bar to the wall with the four self-tapping screws (A).

**NOTE:** To insert the self-tapping screws (A) through the Wall Mount Bar, pull the two sides apart to allow enough clearance for the screw to pass through.



### On a wood stud wall

- Locate the edges of the studs in the wall using a commercially available stud finder and mark the centre of the studs. Confirm the presence of the studs by drilling a small diameter pilot hole.
- Using the Wall Mount Bar as a template, markout then drill three holes of 4mm diameter. Ensure the holes are 60mm in depth, as illustrated above.

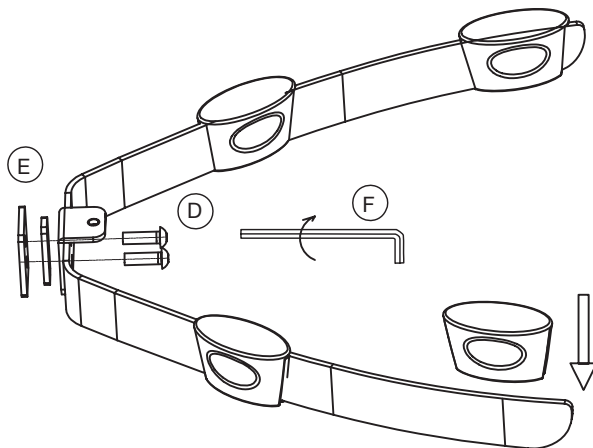
# Installation (Cont.)

- c) Hold the Wall Mount Bar to the wall and align the holes in the bar to the holes drilled into the wall.
- d) Screw the Wall Mount Bar to the wall with the three Self-Tapping Screws (A).

**NOTE:** When you are installing the wall mount bar to a wood stud wall, consult your builder for advice. The wall must be strong enough to support the weight of the wall mount bar and its equipment.

## Step 2: Preparing the Shelf Support Brackets to be attached to the Wall Mount Bar.

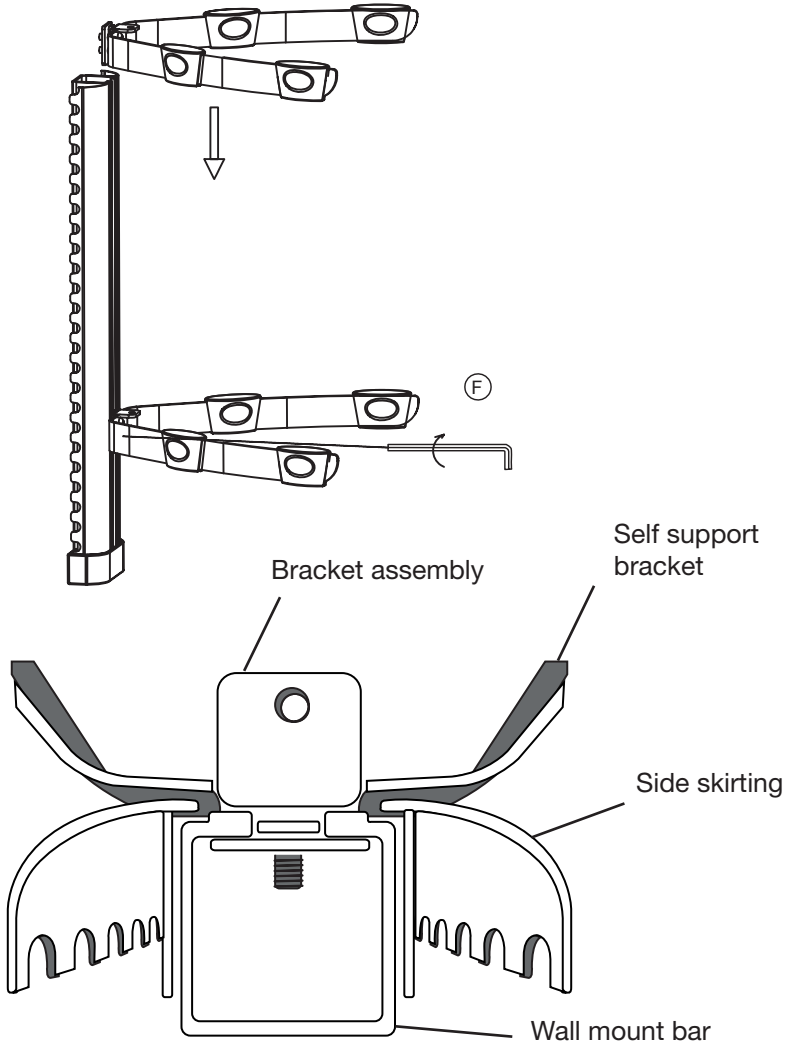
- a) Clip the four plastic supports for the glass onto the Shelf Support Bracket.
- b) Repeat point a) for the second Support Bracket.



# Installation (Cont.)

## Step 3: Attach the Shelf Support Brackets to the Wall Mount.

- Slide the Shelf Support Bracket onto the Wall Mount Bar and tighten using the supplied Allen key (F) in the desired position.
- Repeat for the second Support Bracket.



# Installation (Cont.)

## WARNING!

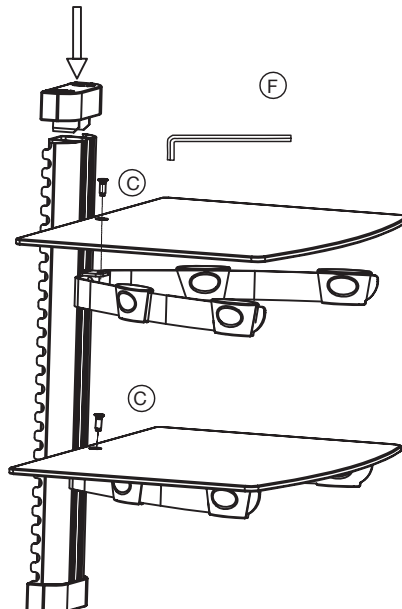
- Tighten all bolts necessary for the installation of the Wall Mounted Shelves firmly to ensure the Shelf Support is securely attached to the wall Mount. Do not overtighten them, which can damage them and greatly reduce their holding power.
- Tighten all the screws securely.
- Do not remove or loosen any screw or bolt until it is no longer mounted on the Wall. Doing so may cause the Shelf to fall.

### Step 4: Attaching the Glass Shelf & End Caps

- a) Place the Glass Shelf on top of the support brackets. Using the supplied bolt (C) and Allen Key (F) gently tighten the bolt to secure the Glass Shelf.

**NOTE:** Do not over tighten the bolt securing the Glass Shelf as this will cause damage or failure of the glass plate.

- b) Repeat the same procedure for the second Glass Shelf.  
c) Lastly clip on the top and bottom End Caps.

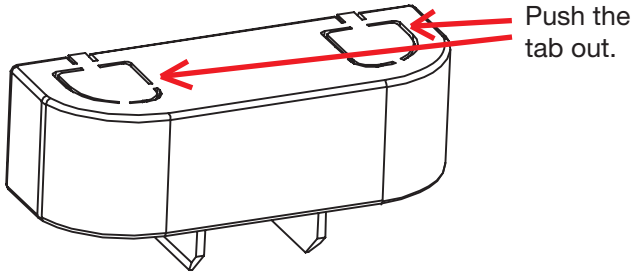


# Installation (Cont.)

## Cable management

To run cables through the skirting on the left and right sides of the Wall Mount Bar.

a) Break open the clips on the top and bottom end Caps.



b) Run the cables through the skirting.

**NOTE:** If the cable plugs are large and cannot be run through the skirting, remove the end Caps and insert the cable from the side of the skirting.

c) To connect cables to the devices on the shelf, exit the cables from the recesses on the sides of the skirting.

### IMPORTANT!

Attaching the Wall Mounted Shelves to a wall requires specialist knowledge. We assume no liability for any injury or material damage incurred due to incorrect assembly or use. Make sure to follow all instructions in this manual, and if you require professional advice, please consult a relevant tradesperson.



## Wall Mounted Shelves

# Repair and Refurbished Goods or Parts Notice

---

Unfortunately, from time to time, faulty products are manufactured which need to be returned to the supplier for repair.

Please be aware that if your product is capable of retaining user-generated data (such as files stored on a computer hard drive, telephone numbers stored on a mobile telephone, songs stored on a portable media player, games saved on a games console or files stored on a USB memory stick) during the process of repair, some or all of your stored data may be lost. **We recommend you save this data elsewhere prior to sending the product for repair.**

You should also be aware that rather than repairing goods, we may replace them with refurbished goods of the same type or use refurbished parts in the repair process.

**Please be assured though, refurbished parts or replacements are only used where they meet ALDI's stringent quality specifications.**

If at any time you feel your repair is being handled unsatisfactorily, you may escalate your complaint. Please telephone us on 1300 886 649 or write to us at:

Tempo (Aust) Pty Ltd ABN 70 106 100 252  
PO BOX 6056 Frenchs Forest, Sydney, Australia NSW 2086  
Tempo Help Desk: 1300 886 649 (Aust)  
(Operating Hours: Mon-Fri 08:30AM to 06:00PM EST)  
Email: info@tempo.org

---

#### AFTER SALES SUPPORT

(AUS) 1300 886 649

[www.tempo.org](http://www.tempo.org)

Model: AWBS-0816-S Product Code: 54265 08/2016





## Warranty returns

Should you for any reason need to return this product for a warranty claim, make sure to include all accessories with the product.

## Product does not work?

If you encounter problems with this product, or if it fails to perform to your expectations, make sure to contact our After Sales Support Centre on 1300 886 649 before returning it to the store for a refund.